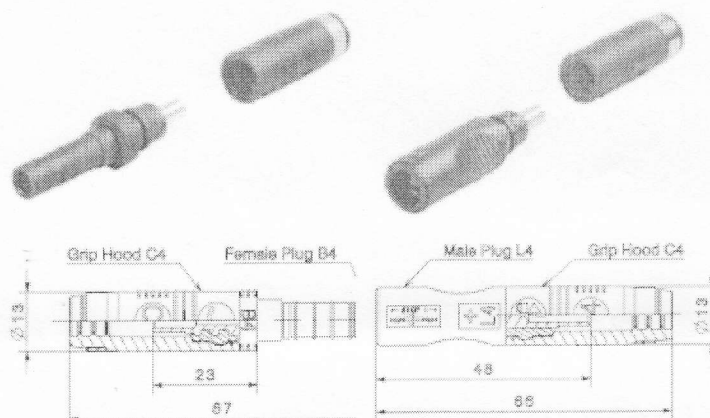


## RADOX® SOLAR connector with integrated twist lock 4 mm<sup>2</sup>

SOLAR female twist lock 4 mm<sup>2</sup>SOLAR male twist lock 4 mm<sup>2</sup>

- Small profile
- Integrated twist locking
- High current capacity
- Constant low transition resistance
- High mechanical resistance
- UV- and ozone resistant
- Protection made IP 67 in mated condition
- Easy assembly



Ordering information	Item no. TUV	Item no. CSA
SOLAR connector 4 mm <sup>2</sup> twist lock female (contains 250 pcs.)	24500095	13720828
SOLAR connector 4 mm <sup>2</sup> twist lock male (contains 250 pcs.)	24500094	13720827

Technical data	
Outer diameter contact carrier	4 mm
Contact carrier	brass tin-plated
Contact principle	copper beryllium lamella contact
Compatible cables	RADOX® SOLAR cable, RADOX® SMART, RADOX® SolarLink
Compatible connectors	RADOX® SOLAR connectors push-pull and twist lock
Termination type	crimp with HUBER+SUHNER lugs with crimp insert 4 mm <sup>2</sup> , item no. 24101803
Plastic material	grip hood lamella connector
Material	TPE PA 6.6
Chemical resistance	UV and ozone resistant
Temperature range	-40 °C up to +110 °C
Current carrying capacity	38 A at +85 °C
Max. system voltage	1000 V/DC or 600 V/AC
Transition resistance	< 1 mΩ
Protection type	II
Protection mode	IP 67 in mated condition
TUV Rheinland approval	certificate no. R 60017637, DIN V VDE V 0126-3/12:06
CSA approval	certificate no. 2059270 according to UL 486 A, B, UL 1703